

# SMU—Smart Measuring Unit



The **SMU** integrates Stand alone Merging Unit and Phasor Measurement Unit in one device.



The Merging unit (MU), Stand alone merging unit (SAMU), and Phasor measurement unit (PMU) will be the main data sources for the measured values in the fully digital substation.

The SMU-P2 is developed to provide measuring data for all applications (protection, measurement and synchrophasor measurement) in the fully digital substation according to all relevant standards.

**Synchronization:**

- IEEE 1588v2 (PTP)

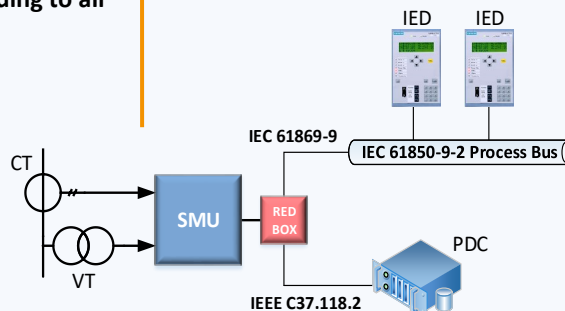
**Sampled values:**

- IEC 61869-9
- sample rates F4000S1I4U4 F4800S2I4U4 and F14400S6I4U4

**Synchrophasor measurement:**

- IEEE C37.118
- reporting rates 10, 25 and 50 frames/s

Pro Integris d.o.o.  
Zagreb and Split, Croatia  
info@prointegrisk.hr





In the fully digital substation, all information is digitalized at the source, including the measurements. The fully digital substation concept enables efficient and simpler exchange of the measured data between devices connected to the process bus, more efficient use and storage of the measured data, and increased energy efficiency within the substation.

#### SMU-P2 technical specifications

Dimensions	220 x 182 x 88 mm
Analog inputs	4 x protection current inputs 1A or 5A 4 x measurement current inputs 1A or 5A 4 x protection and measurement voltage inputs 100V
Power supply	110 —230 VAC and 110—230 VDC
Input signal frequency	50 Hz
Communication	1000Base—TX, VLAN